

DH-IPC-HDBW2220R-ZS/VFS

2MP Full HD Network IR Dome Camera



Features

- 1/2.8" 2Megapixel progressive CMOS
- H.264 & MJPEG dual-stream encoding
- 25/30fps@1080P(1920x1080)
- DWDR, Day/Night(ICR), 3DNR, AWB, AGC, BLC
- Multiple network monitoring: Web viewer, CMS(DSS/PSS) & DMSS
- 2.7~12mm varifocal lens
- Max IR LEDs Length 30m
- IP67, IK10, PoE
- Micro SD card slot, up to 128GB

DH-IPC-HDBW2220R-ZS/VFS

Technical Specifications

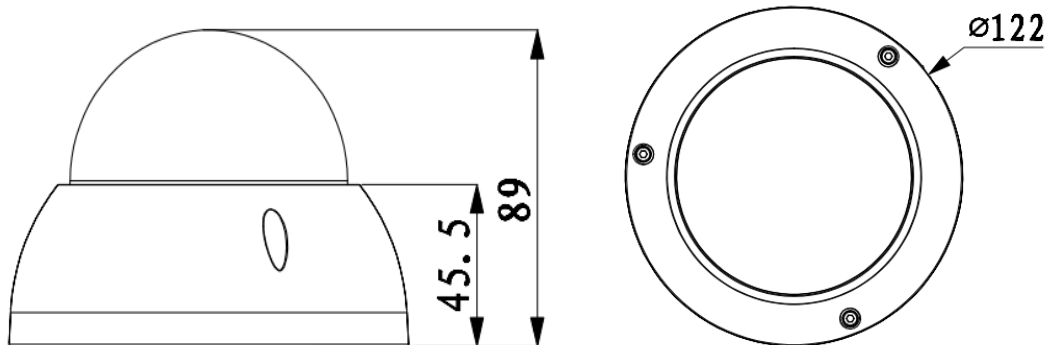
Model	DH-IPC-HDBW2220R-VFS		DH-IPC-HDBW2220R-ZS	
Camera				
Image Sensor	1/2.8" 2Megapixel progressive scan CMOS			
Effective Pixels	1984(H)x1121(V)			
Scanning System	Progressive			
Electronic Shutter Speed	Auto/Manual, 1/3(4)~1/100000s			
Min. Illumination	0.01Lux/F1.4(Color); 0Lux/F1.4(IR on)			
S/N Ratio	More than 50dB			
Video Output	N/A			
Camera Features				
Max. IR LEDs Length	30m			
Day/Night	Auto(ICR)/Color/B/W			
Backlight Compensation	BLC / HLC / DWDR			
White Balance	Auto/Manual			
Gain Control	Auto/Manual			
Noise Reduction	3D			
Privacy Masking	Up to 4 areas			
Lens				
Focal Length	2.7mm~12mm		2.7mm~12mm	
Max Aperture	F1.4		F1.4	
Focus Control	Manual		Auto	
Angle of View	H: 98° ~30°		H: 98° ~30°	
Lens Type	Manual/ Fixed Iris		Motorized/ Fixed Iris	
Mount Type	Board-in Type		Board-in Type	
Video				
Compression	H.264/ H.264H/ MJPEG			
Resolution	1080P(1920x1080)/1.3M(1280x960)/720P(1280x720)/D1(704x576 /704x480)/CIF(352x288/352x240)			
Frame Rate	Main Stream	1080P/720P(1 ~ 25/30fps)		
	Sub Stream	D1/CIF(1 ~ 25/30fps)		
Bit Rate	H.264H: 40K ~ 8192Kbps; MJPEG: 40K~16384Kbps			
Audio				
Compression	N/A			
Interface	N/A			
Network				
Ethernet	RJ-45 (10/100Base-T)			
Wi-Fi	N/A			
Protocol	IPv4/IPv6, HTTP, HTTPS, SSL, TCP/IP, UDP, UPnP, ICMP, IGMP, SNMP, RTSP, RTP, SMTP, NTP, DHCP, DNS, PPPOE, DDNS, FTP, IP Filter, QoS, Bonjour			
Compatibility	ONVIF, CGI			
Max. User Access	20 users			

DH-IPC-HDBW2220R-ZS/VFS





Smart Phone	iPhone, iPad, Android, Windows Phone	
Auxiliary Interface		
Memory Slot	Micro SD , Max 128GB	
RS485	N/A	
Alarm	N/A	
PIR Sensor Range	N/A	
General		
Power Supply	DC12V, PoE (802.3af)	
Power Consumption	Max 4W	Max 8.5W
Working Environment	-30°C~+60°C, Less than 95% RH	
Ingress Protection	IP67	
Vandal Resistance	IK10	
Dimensions	Φ122mm×89mm	
Weight	0.5kg	

DH-IPC-HDBW2220R-ZS/VFS

Dimensions (mm)



Accessories (optional)

PFA137	PFB203W	PFA152	PFB200C
			

Dahua Technology Co., Ltd.

1199 BinAn Road, Binjiang District, Hangzhou, China

Tel: +86-571-87688883

Fax: +86-571-87688815

Email: overseas@dahuatech.com

www.dahuasecurity.com

*Design and specifications are subject to change without notice.

© 2015 Dahua Technology Co., Ltd.

DH-IPC-HDBW2220R-ZS/VFS
